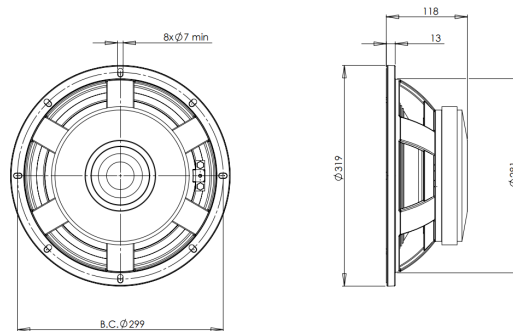


12PS100

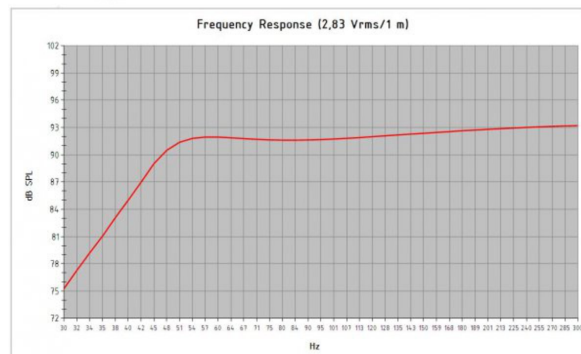
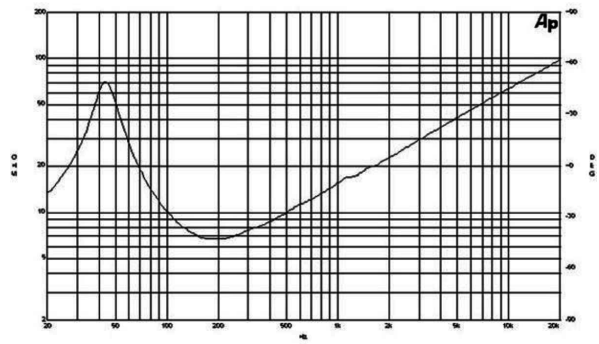
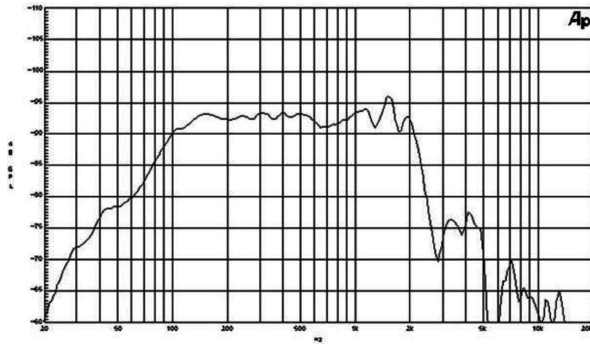
8Ω**LF Drivers** - 12.0 Inches

- 1400 W continuous program power capacity
- 100 mm (4 in) copper voice coil
- 45 - 1000 Hz response
- 93 dB sensitivity
- Double silicone spider with optimized compliance



12PS100

LF Drivers- 12.0 Inches



Model: **12 PS 100**
 Enclosure Type: **Bass Reflex**
 Internal Net Volume (Liters): **40**
 Tuning Frequency (Hz): **48**
 Frequency (-3 dB) (Hz): **48.4**
 Port Area (cm²): **138.7**
 Port Length (cm): **33.8**
 Excursion Limited Maximum SPL at 1 meter (dB): **119.1** equal to **425.4** Watts (Bass Band Power Rating)
 Thermal Limited Maximum SPL at 1 meter (dB): **121.3** equal to **700.0** Watts (Mid Band Power Rating)

SPECIFICATIONS

Nominal Diameter	320 mm (12.0 in)
Nominal Impedance	8 Ω
Minimum Impedance	6.7 Ω
Nominal Power Handling ¹	700 W
Continuous Power Handling ²	1400 W
Sensitivity ³	93.0 dB
Frequency Range	45 - 1000 Hz
Voice Coil Diameter	100 mm (4.0 in)
Winding Material	Copper
Former Material	Glass Fibre
Winding Depth	21.0 mm (0.83 in)
Magnetic Gap Depth	11.0 mm (0.4 in)
Flux Density	1.05 T

DESIGN

Surround Shape	Triple Roll
Cone Shape	Radial
Magnet Material	Ferrite
Spider	Double Silicone
Pole Design	T-Pole
Woofer Cone Treatment	TWP Waterproof Both Sides
Recommended Enclosure	40.0 dm ³ (1.41 ft ³)
Recommended Tuning	48 Hz

PARAMETERS⁴

Resonance Frequency	44 Hz
Re	5.3 Ω
Qes	0.29
Qms	3.9
Qts	0.27
Vas	47.0 dm ³ (1.6 ft ³)
Sd	531.0 cm ² (82.3 in ²)
η _o	1.3 %
X _{max}	± 8.0 mm
X _{var}	± 8.0 mm
M _{ms}	106.0 g
Bl	22.5 Txm
Le	2.0 mH
EBP	151 Hz

B&C Speakers s.p.a.

Via Poggiomoro, 1 - Loc. Vallina, 50012 Bagno a Ripoli (FI) - ITALY - Tel. +39 055 65721 - Fax +39 055 6572312 - mail@bcspeakers.com

MOUNTING AND SHIPPING INFO

Overall Diameter	319 mm (12.5 in)
Bolt Circle Diameter	299 mm (11.8 in)
Baffle Cutout Diameter	281.0 mm (11.1 in)
Depth	118 mm (4.6 in)
Flange and Gasket Thickness	13 mm (0.5 in)
Air Volume Occupied by Horn	3.5 dm ³ (0.12 ft ³)
Net Weight	8.8 kg (19.4 lb)
Shipping Units	1
Shipping Weight	9.7 kg (21.38 lb)
Shipping Box	360x360x200 mm (14.17x14.17x7.87 in)

SERVICE KIT

Recone kit	RCK12PS1008
------------	-------------

1. 2 hours test made with continuous pink noise signal within the range Fs-10Fs. Power calculated on rated minimum impedance. Loudspeaker in free air.
2. Power on Continuous Program is defined as 3 dB greater than the Nominal rating.
3. Applied RMS Voltage is set to 2.83 V for 8 ohms Nominal Impedance.
4. Thiele-Small parameters are measured after a high level 20 Hz sine wave preconditioning test.